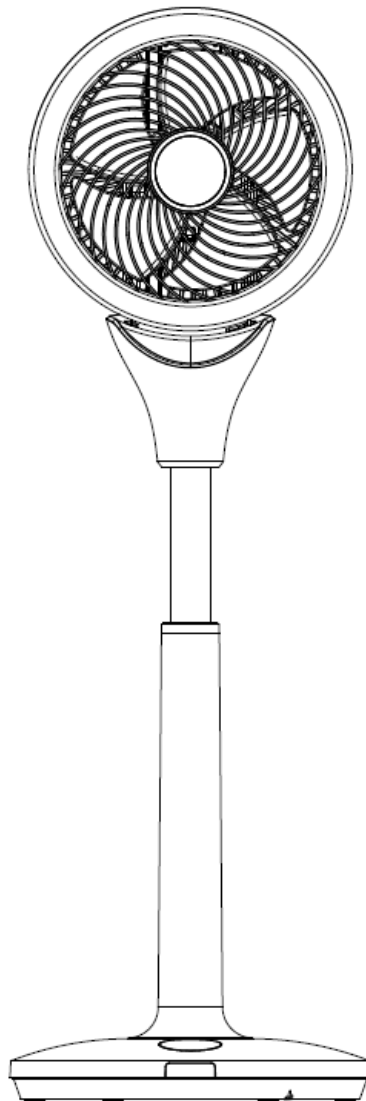


Devola

Instruction Manual

9" DC PEDESTAL AIR CIRCULATOR

DV9PDQM



CONTENTS

1. Safety Notice
2. Product Structure
3. Operating Instructions
4. Technical Specifications
5. Cleaning & Maintenance

Safety Notice

The appliance can be used by children aged from 8 years and above and persons with reduced physical, sensory or mental capability or lack of experience and knowledge if they have been given supervision or instruction concerning use of the appliance in a safe way and understand the hazards involved. Children shall not play with the appliance. Cleaning and user maintenance shall not be made by children without supervision.

After removing the packing materials, check the integrity of the appliance; if You are unsure, do not use it and ask for professional help. The packing materials (plastic bags, polystyrene foams, nails, etc.) must be kept out the reach of children because they are potential source of danger.

This appliance is intended for home use only, and it is suitable for domestic ventilation according to the methods shown in this manual. Any other use is considered inappropriate and therefore dangerous. The manufacturer cannot be held responsible for eventual damages caused by inappropriate, improper, or irresponsible use and/or for repairs made to the product by unauthorized personnel.

Do not connect the fan to the power supply until the fan is fully assembled.

Before connecting the appliance check the electrical data shown in the rating label, correspond to the main supply electrical data.

Unplug the fan before any adjustment or cleaning procedures.

Never operate the fan if it has damaged or worn parts. It should be returned to the manufacturer, its Service Agent or similar qualified technician for repair.

Never immerse the product in water or other liquids.

Do not put any heavy object on power cable. Keep the cable far from heat source. The cable could be damaged.

Do not spray anything inside the fan.

Do not use the fan near flammable materials or substances.

To reduce the risk of electric shock, do not remove any screw from the product.

Do not insert fingers or other objects through the fan guards.

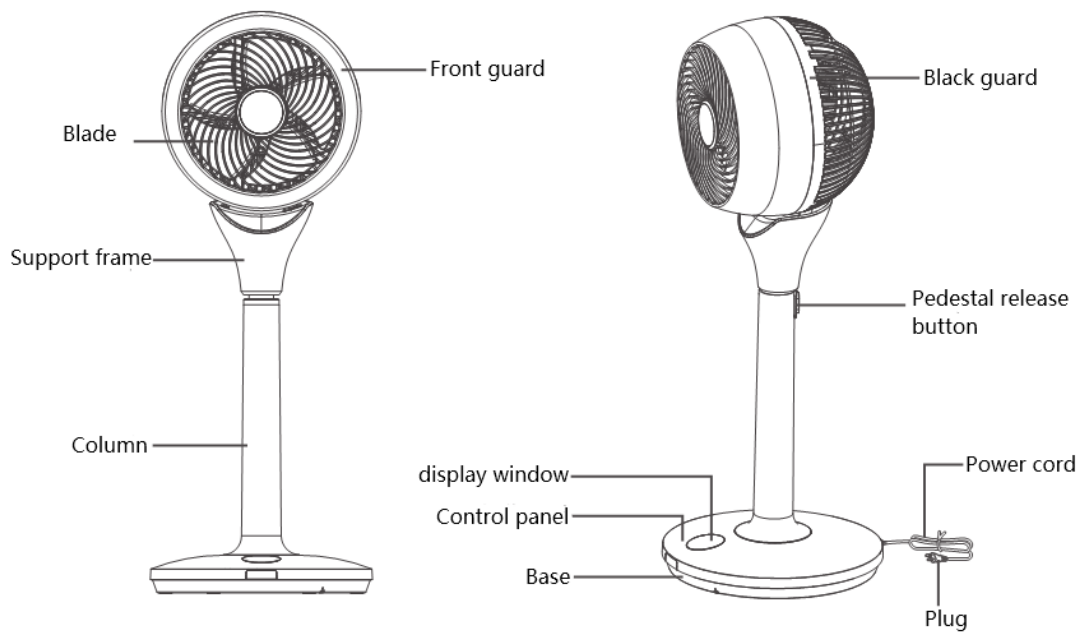
Children should be supervised to ensure that they do not play with the appliance.

Do not pull the mains cable or the appliance itself when disconnecting the plug from the socket.

Be sure that every part of the fan is correctly assembled following the instructions given in this manual. Incorrect assembly can be dangerous and be source of hazards for persons or animals. The supplier cannot be considered responsible is case in incorrect assembly of the product.

Never use the product for different purposes. This appliance is for Household use only.

Product Structure



Operating Instructions

Before using the fan make sure that it is on a flat and stable surface. Damage may occur if it is placed on an incline or decline.

Set all switches to off, then insert the plug directly into a standard AC socket-outlet.

Control Panel Operating Instructions





Power Button

- Press the power button and the unit will begin to operate.
- When used for the first time, the default fan speed is gear 1.
- If the fan is turned off and back on again, the fan defaults to the gear speed that was last used.



Speed Button

- The fan speed can be adjusted on the control panel or via the remote control (using the + or – buttons).
- Press the speed button to adjust the fan speed.
- There are 12 fan speeds available.
- If you hold the speed button on the fan base for more than 1s you can cycle through the 12 gear speeds faster.




Oscillation Button


- Press the oscillation button to start and stop the automatic horizontal oscillation.



Mode Button


Press the mode button to cycle through the three modes: Normal, Smart and Sleep.

1.  Normal: The fan operates as per the selected gear speed, which is shown on the LED display.

2.  Smart Mode: This icon will illuminate when the fan is in smart mode.

The smart mode function will automatically adjust the wind speed in accordance with the ambient temperature.

Room Temperature	Fan Speed
<23°C	2
23~25°C	4
25~27°C	6
27~29°C	8
29~31°C	9
31~33°C	10
>33°C	12

3.  Sleep Mode: The sleep icon will illuminate when the fan is operating in this mode. There are three wind speed gears for the sleep mode, press the speed button to select the wind volume you wish to use.

Remote Control Operating Instructions





Press to switch the fan on/off.



Press to cycle through the three modes.



Press this button when the fan is in standby mode to select a start up timer. Press this button when the fan is in operation to select a shutdown timer.

After clicking the timer button, you can set the timer by pressing the + or – button. See timer options below.

0.5hr	1hr	1.5hr s	2hrs	2.5hr s	3hrs	4hrs	5hrs	6hrs	7hrs	8hrs	9hrs	10- hrs	11- hrs	12- hrs
-------	-----	------------	------	------------	------	------	------	------	------	------	------	------------	------------	------------

When you have reached your desired shutdown time, wait three seconds for the timer to save. If the timing display is 0.0h, this indicates that no timer is/will be set.



Use the + or – buttons to set the wind speed/ timer.



Turn the left-right oscillation function on/off.

Remarks:

1. When you plug in the power supply, the fan will enter standby. If the whole machine is not operated for 24 hours, it will automatically turn off and the fan will continue to run.
2. In normal operation, if there is no operation for 60 seconds, the light indicator will automatically turn off and the fan will continue to run.

When the screen is off, press the switch button to directly shut down, press other buttons to restore the display.

Technical Specifications

Model	DV9DCPF
Voltage	100V~240V,50Hz
Power	20W
Product Weight	2.8Kgs
Product Size	29 x 29.4 x 75.9~87.9cm

Cleaning & Maintenance

1. Make sure that the appliance is switched OFF, unplugged, and completely cool before cleaning or attempting to store the item.
2. Do not immerse power cord, or any other chemical liquid. Wipe the exterior with a soft damp cloth or sponge. Remove stubborn spots with a cloth moistened with mild liquid detergent. Do not use abrasive scouring pads or powders.
3. Keep the power cord away from hot objects, such as gas and electric heaters.
4. Do not use outdoors, do not allow children to touch to avoid accidents.

WARRANTY

Guarantee and Service Policy

This product is covered by a standard parts or replacement warranty for a period of 12 months from the date of purchase.

Extend your warranty for 12 months for free by visiting www.devola.co.uk/warranty.

Incorrect installation and failure to follow correct operating instructions are excluded. Consequential costs such as labour charges or damage to surroundings are expressly excluded.

Contact Us

If you experience a problem with this product you should first contact us on 0121 250 2180 before taking any further action.

CLAIM YOUR EXCLUSIVE 5% OFF YOUR NEXT ONLINE ORDER

DISCOUNT CODE: DEV5

OFFER VALID FOR 21 DAYS. DON'T MISS OUT!

YOUR DISCOUNT CODE ALSO APPLIES TO OUR SISTER WEBSITES

Visit our websites:

www.devola.co.uk

www.energybulbs.co.uk

www.airconcentre.co.uk

www.ledbulbs.co.uk