

# Devola®

## Bathroom Convactor Heater INSTRUCTION MANUAL



**MODEL NO.: DVBH20W**  
**SPECIFICATIONS: 220V-240V~50Hz IP23, 1800-2000W**

Thank you for shopping with Devola. Please read the contents of this manual carefully before use.

**IMPORTANT Read these instructions fully before using the heater. Retain these instructions for future reference.**

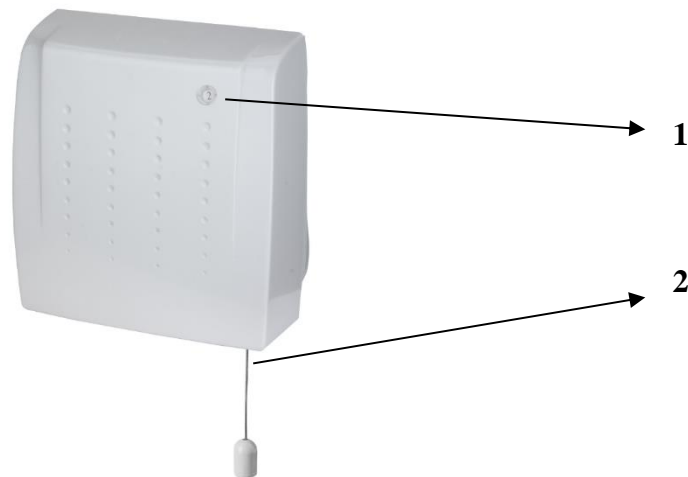
NOTE: The heater may only be used in a fixed position and only for the purpose described. **It is not for outdoor use!**

**SAFETY INSTRUCTIONS (to be read before operating the heater)**

- 1) This product is a wall mounting appliance, never use it as portable appliance.
- 2) This heater is designed for wall mounting and must be used with the warm air vent facing downwards. This heater should not be used in any other orientation and should not be used as a free-standing portable appliance.
- 3) This heater must be installed so that switches and other controls (except the pull cord) cannot be touched by person in the bath or shower
- 4) This product is suitable for installation on surfaces with normal flammability e.g. wood, plasterboard, masonry. It is not suitable for use on highly flammable surface (e.g. polystyrene, textiles)
- 5) The heater is to be installed so that switches and other controls cannot be touched by a person in the bath or shower.
- 6) Before making fixing hole(s), check that there is no obstruction hidden beneath the mounting surface such as pipes or cables.
- 7) The chosen location of your new heater should allow for the product to be securely mounted (e.g. to a firm wall) and safely connected to mains the supply.
- 8) Ensure the power supply to the socket into which the heater is plugged is in accordance with the rating label on the heater and that the socket is earthed.
- 9) Keep the mains lead away from the hot body of the heater.
- 10) Do not use outdoors.
- 11) Do not cover or obstruct any of the heat outlet grilles or the air intake openings of the heater.
- 12) Do not place the heater on carpets or deep pile rugs.
- 13) Always ensure that the heater is placed on a firm level surface. Ensure that the heater is not positioned close to curtains or furniture as this could create a fire hazard.
- 14) Do not position the heater in front of, or immediately below a wall socket.
- 15) Do not insert any object through the heat outlet or air intake grilles of the heater.
- 16) Do not use the heater in areas where flammable liquids are stored or where flammable fumes may be present.
- 17) Care should be taken when the heater is situated in areas occupied by children or persons with disabilities.
- 18) Always unplug the heater when moving it from one location to another.
- 19) Do not use the heater if the power cord is damaged. If the power cord is damaged it must be replaced by a recognised service agent or other qualified person.
- 20) Only use a suitable 220-240V electrical socket.
- 21) The room which is to be heated should not contain any easy inflammable materials (e.g., petrol, solvents, spray canisters etc.) or other easy combustible materials (e.g., wood or paper). Keep such materials away from the heater as this is a fire risk.
- 22) This appliance is not intended for use by persons (including children) with reduced physical, sensory or mental capabilities, or lack of experience and knowledge, unless they have been given supervision or instruction concerning use of the appliance by a person responsible for their safety. Children should be supervised to ensure that they do not play with the appliance.

## OVERVIEW:

1. Gear Indication
2. Pull Cord



## OPERATION

0 stall: Shutdown

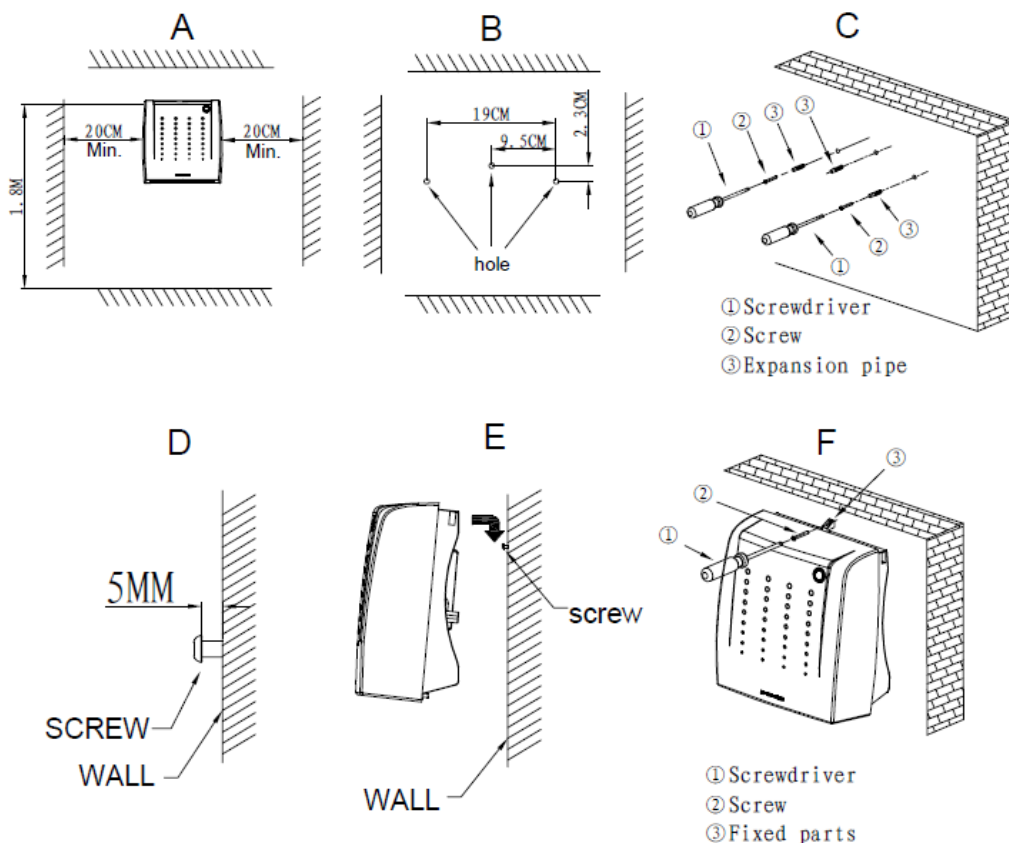
\* stall: Turbo

1 stall: 1000W

2 stall: 2000W

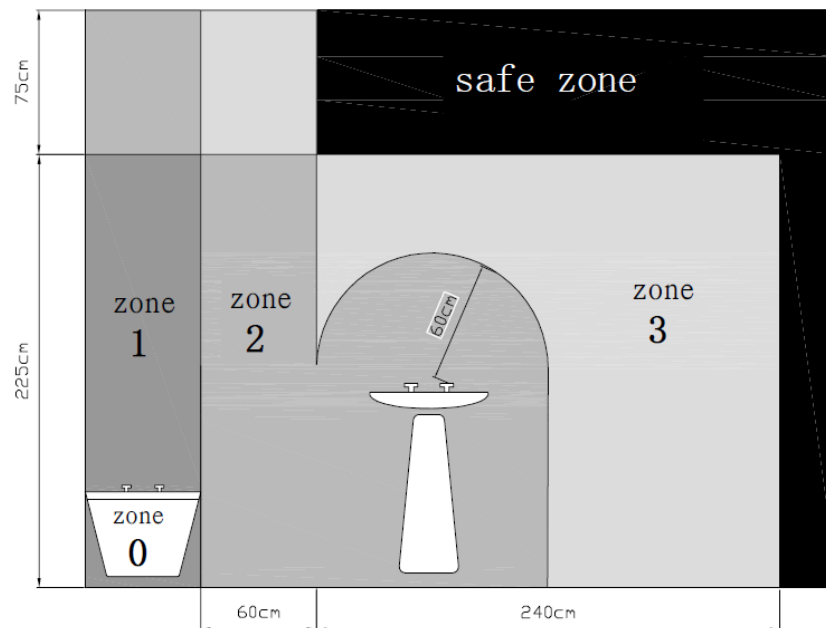
## MOUNTING AND ELECTRICAL CONNECTION

1. Drill three holes that have diameters of 8mm and are 40mm deep into the wall/firm surface, in accordance with figures A and B.
2. Push three plastic expansion tubes into the previously drilled holes and drill screws into each expansion tube, as per figure C. Ensure 5mm of the screw is left visible as shown in figure D.
3. Hang the product on the screw (See figure E).
4. Use the plastic plate to press on the product then drill the screw into it to av (see figure F)



## Figures for wall mounting

### MOUNTING AREA



#### **Note:**

This product is suitable for mounting in Zone 3 or the safe zone of a bathroom (or similar) only if a permanent connection to the mains supply is made in accordance with the requirements of the building regulations (including the wiring regulations). If in doubt, consult a qualified electrician.

### **OPERATION OF THE HEATER**

NOTE: It is normal if the heater emits a smell and fumes upon first use or if it has not been used for a long period of time. This will disappear when the heater has been on a short while.

### **CLEANING THE HEATER**

1. Always un-plug the heater from the wall socket and allow it to cool down before cleaning.
2. Clean the outside of the heater by wiping with a damp cloth and buff with a dry cloth. Do not use any detergents or abrasives and do not allow any water to enter the heater.

### **STORING THE HEATER**

When the heater is not used for long periods of time it should be protected from dust and stored in a clean dry place.

### **INFORMATION ON THE DISPOSAL AND RECYCLING OF THIS PRODUCT**

Please note that your Devola product is marked with this symbol:



This means that the product should not be mixed with normal household waste, as there are separate collection facilities for Waste Electrical and Electronic Equipment.

The WEEE Directive legislation requires each Member State to provide for the correct collection, recover, handing and recycling of Waste Electrical and Electrical Equipment. Private households within the EU can return their used equipment to designated collection sites free of charge. In certain member states, if you purchased the equipment through retail or a distributor, you can return your used equipment to them free of charge providing you purchase similar new equipment. Please contact your retailer, distributor, or local authority for further details on the handling of Waste Electrical and Electrical Equipment.

**Note:** Due to ongoing development of the functionality and design of our products we reserve the right to change the product without preceding notice.

## Warranty

### Guarantee and service policy

This product is covered by a standard parts or replacement warranty for a period of 12 months from the date of purchase.

Extend your warranty for 12 months for free by visiting [www.devola.co.uk/warranty](http://www.devola.co.uk/warranty).

Incorrect installation and failure to follow correct operating instructions are excluded. Consequential costs such as labour charges or damage to surroundings are expressly excluded.

### Contact Us

If you experience a problem with this product you should first contact us on 0121 250 2180 before taking any further action.

**CLAIM YOUR EXCLUSIVE 5% OFF YOUR NEXT ONLINE ORDER**

**DISCOUNT CODE: DEV5**

**OFFER VALID FOR 21 DAYS. DON'T MISS OUT!**

**YOUR DISCOUNT CODE ALSO APPLIES TO OUR SISTER WEBSITES**

### Visit our websites:

[www.devola.co.uk](http://www.devola.co.uk)

[www.energybulbs.co.uk](http://www.energybulbs.co.uk)

[www.airconcentre.co.uk](http://www.airconcentre.co.uk)

[www.ledbulbs.co.uk](http://www.ledbulbs.co.uk)